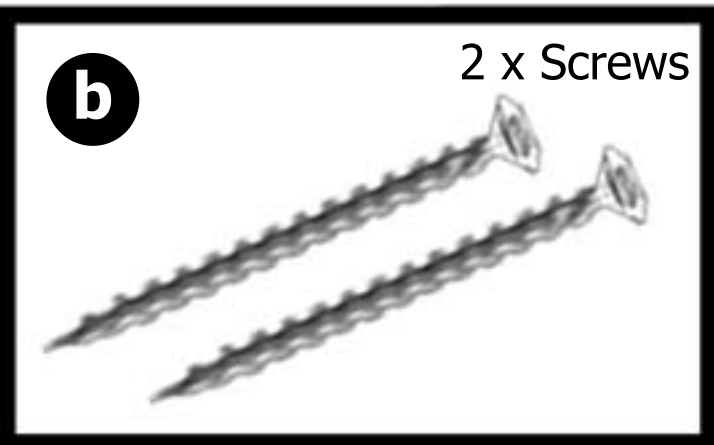
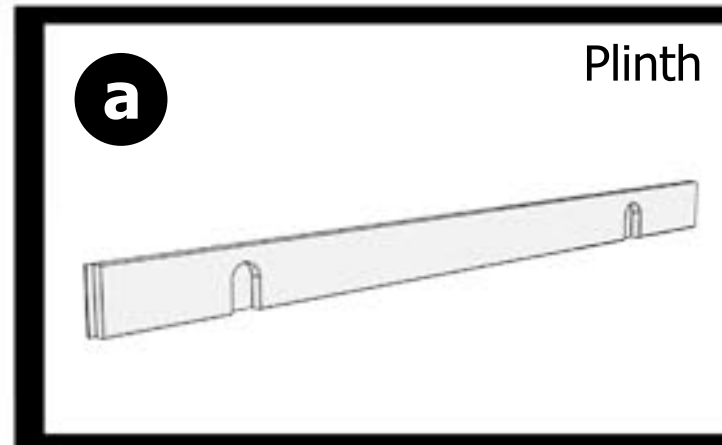


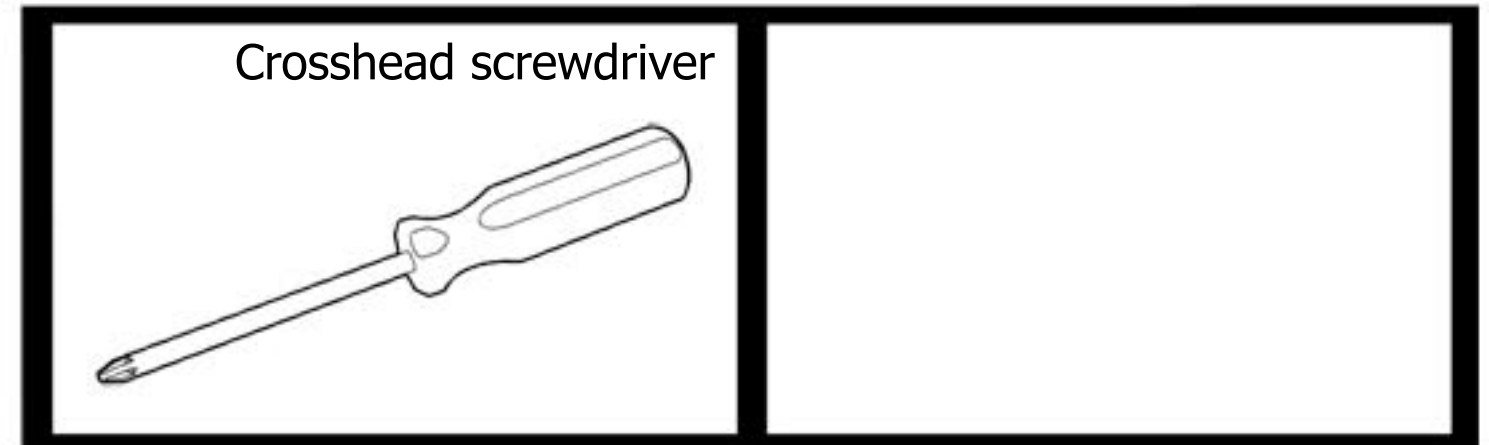
Please read these instructions in full before starting assembly

Plinth

In the pack:



Tools required:

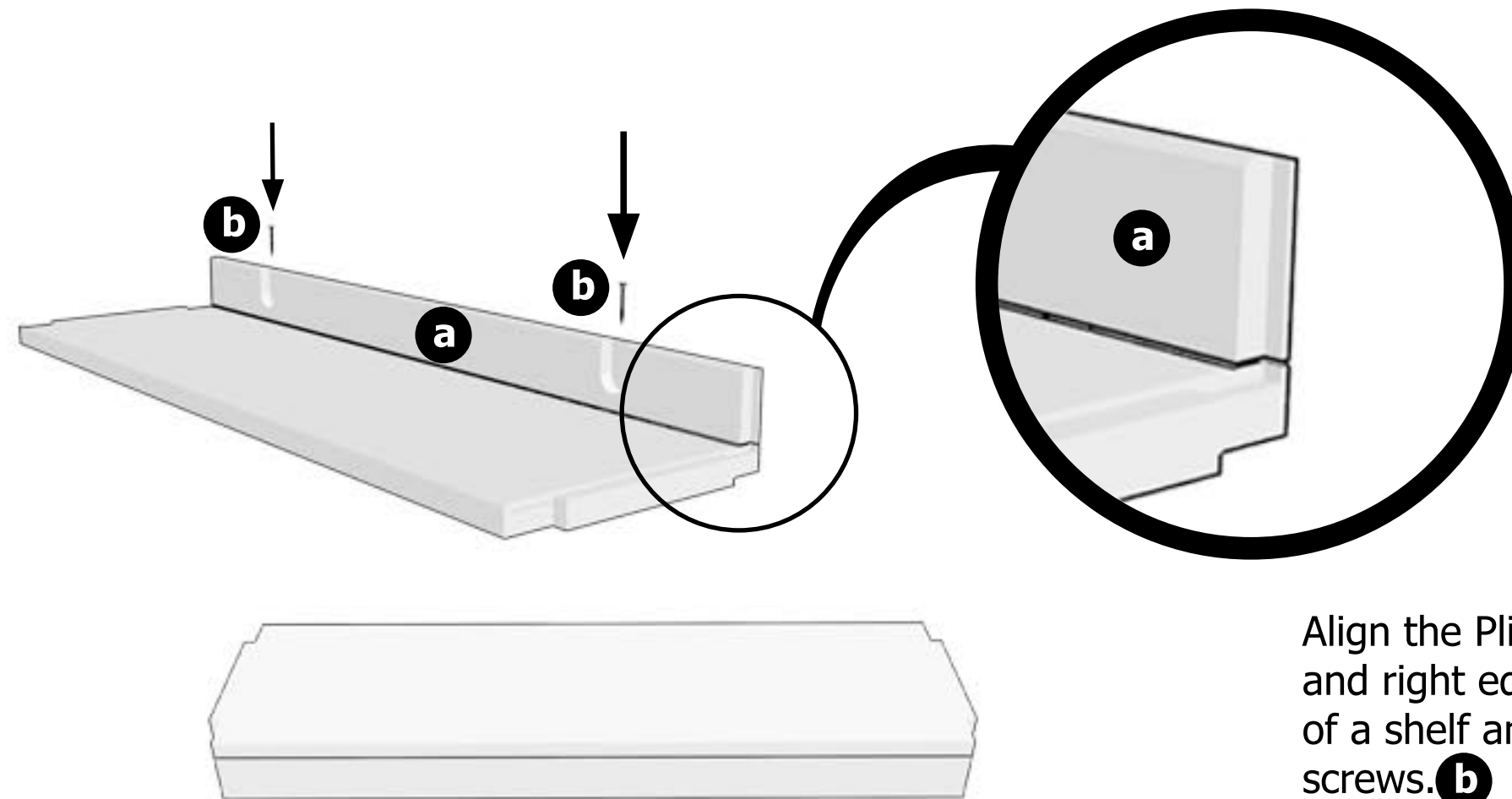


Notes

There is no front or back to a shelf.

The bottom shelf can be used with or without shelf supports.

2 Plinths can also be used as a base (front and back) to a chest of drawers when standing on the floor between 2 uprights.



Align the Plinth **a** with the left and right edges on the underside of a shelf and secure with the 2 screws. **b**